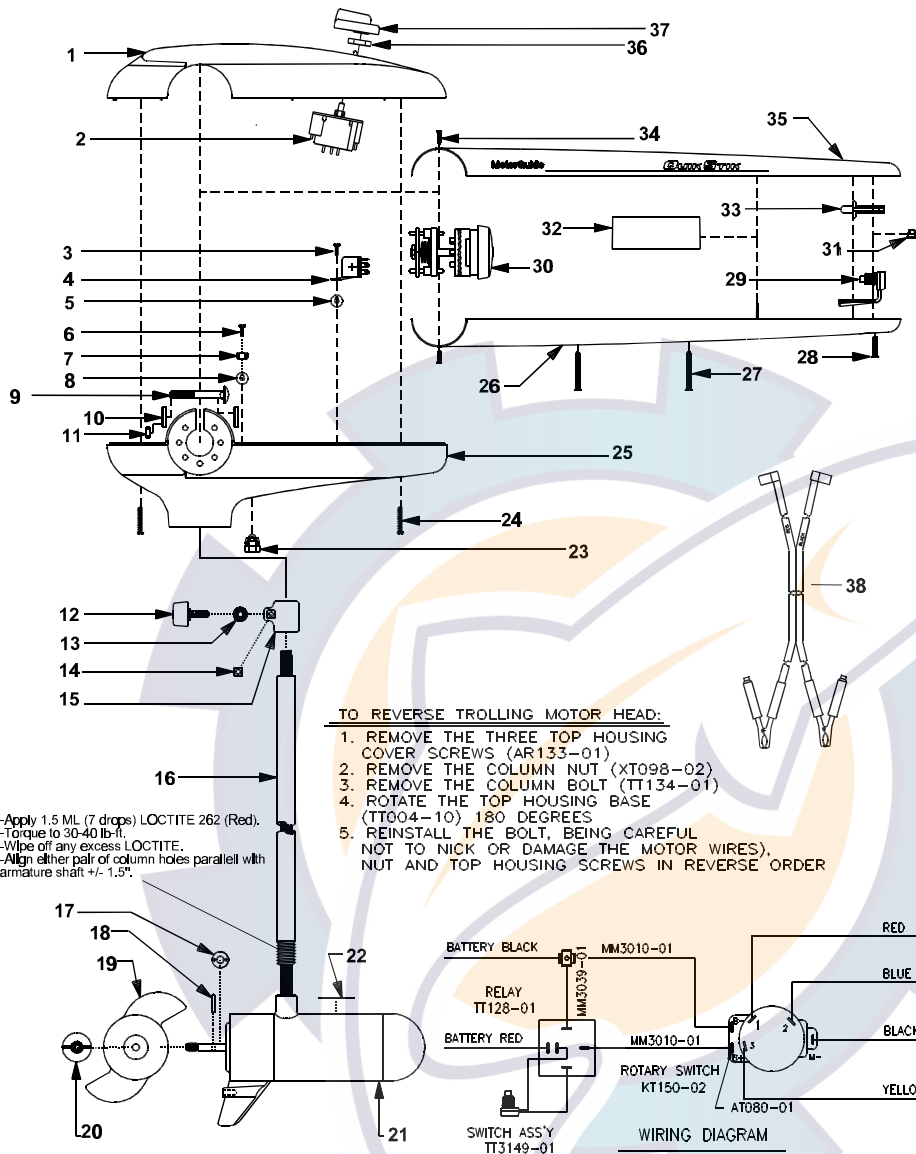


MotorGuide REPAIR PARTS

Model: **POWER plus**
QS52



-Apply 1.5 ML (7 drops) LOCTITE 262 (Red).
 -Torque to 30-40 lb-ft.
 -Wipe off any excess LOCTITE.
 -Align either pair of column holes parallel with armature shaft +/- 1.5°.

SPECIFICATIONS:

Year of Intro 1998
 Thrust 52LBS
 Volts 12VDC
 Amp Draw 0 to 48 amps
 Mount 09 Transom
 Speeds 5/2

QUICK REFERENCE PARTS GUIDE:

Rotary Switch KT150-02
 Relay TT128-02
 ON/OFF Switch TT3149-03

PARTS ORDERING & TECH ASSISTANCE

MotorGuide Consumer Relations
 Phone 918-831-6989
 Fax 800-982-8093

Send Returned Goods to:
 MotorGuide
 605 Hwy 12 West
 Starkville, MS 39760

Returned Goods must be accompanied with a Returned Goods Authorization. Contact MotorGuide Consumer Relations to obtain RGA.

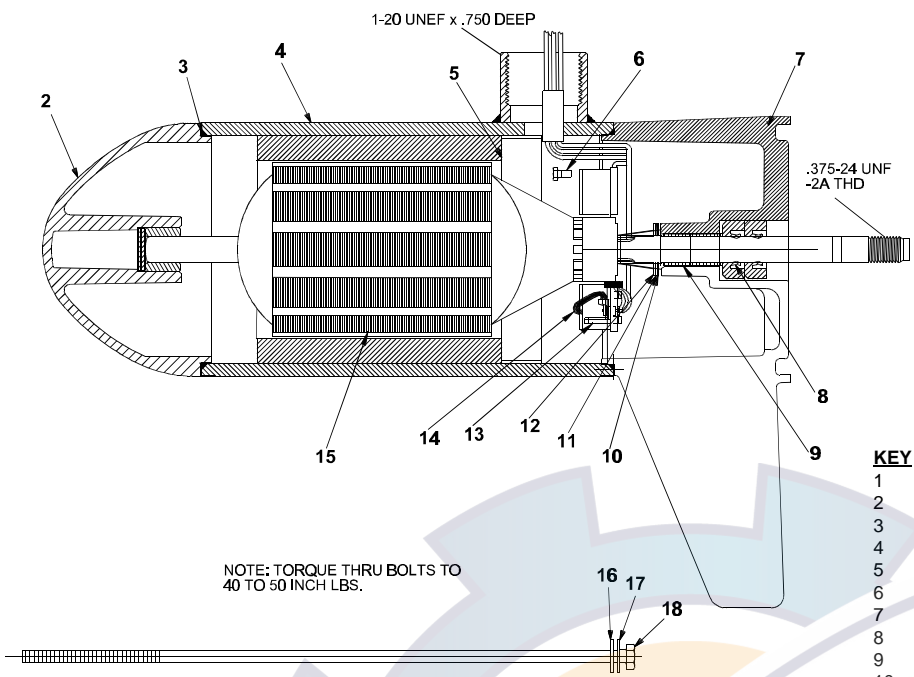
KEY#	PART#	DESCRIPTION	KEY#	PART#	DESCRIPTION
1	TT053-11	QS T/H COVER	25	TT004-10	T/H BASE QS GENERIC
2	KT150-02	ROTARY SWITCH	26	FT072-02	LOWER HANDLE QS BLACK
3	GR133-01	#10 X 1/2" SCREW	27	TT133-03	SCREW #6X1"
4	TT128-01	12 VOLT RELAY	28	TT133-02	SCREW #6X.75
5	TT098-03	ON SERT/PAL NUT	29	TT3149-03	ON/OFF SWITCH ASY QS
6	GR133-01	#10 X 1/2" SCREW	30	TT372-04	HANDLE/CLUTCH ASY QS
7	FT160-03	TERMINAL (4 PRONG)	31	TT177-02	SWITCH BOOT
8	TT098-03	ON SERT/PAL NUT	32	FT057-05	N/A
9	TT134-01	BOLT	33	TT001-04	ACTUATOR ON/OFF
10	TT171-04	CURVED WASHER	34	TT133-01	SCREW #6X.437
11	XT098-02	NYLON LOCK NUT	35	TT072-12	UPPER HANDLE PWR PLUS
12	AR082-02	KNOB DEPTH ADJUSTMENT	36	AT098-01	PAL NUT
13	AR171-01	COLUMN CLAMP WASHER	37	TT082-06	ROTARY KNOB
14	FR098-01	COLUMN SUPPORT NUT	38	TT328-03	BATTERY CABLE ASSEMBLY
15	AR051-01	DEPTH ADJUSTMENT COLLAR			
16	TT049-05	36" COLUMN FOR QUIK STIK			
	FR049-19	42" COLUMN SS			
17	AR175-01	MONOFILAMENT WASHER			
18	BR102-01	PROP DRIVE PIN			
19	AF124-10	3 BLADE NINJA PROP			
20	AR099-01	PROP NUT			
21	DF397-02	MOTOR			
22	ET060-04	LOWER UNIT DECAL BEAST			
23	GR019-01	BATTERY CABLE BUSHING			
24	AR133-01	8 X1-3/8 SCREW			

PARTS NOT ILLUSTRATED

FT056-11 DECAL, TOP HOUSING
 MM5604 OWNERS MANUAL

LOWER UNIT BREAKDOWN

Model:
QS52



KEY	QTY	DESCRIPTION	PART NO.
1	X	MOTOR	DF397-02
2	1	NOSE CAP	JF3212-01
3	2	O RING SEAL	MR217-01
4	1	HOUSING ASY	JF3210-01
5	1	RETAINER	JF233-01
6	2	BRUSH CARD SCREW	MR228-01
7	1	COMM CAP	DF3205-01
8	2	SHAFT SEAL	MR223-01
9	1	BEARING	MR206-01
10	1	NYLATRON WASHER	MR226-01
11	1	WASHER	MR227-01
12	1	E RING	MR219-01
13	2	BRUSH SPRINGS	MR214-02
14	1	BRUSH ASY LESS SPRING	DF3201-01
15	1	ARMATURE 3.5"	CF3207-02
16	4	STATIC SEAL	MR222-01
17	4	THRU BOLT WASHER	MR216-01
18	2	THRU BOLT	MR218-02

WIRING

